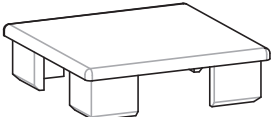



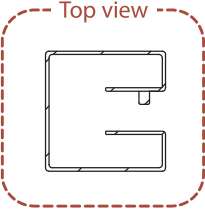

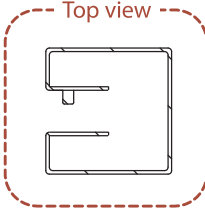
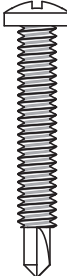
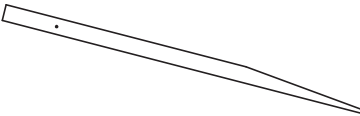



STEP 1: LAY OUT MATERIALS

<p>A</p>  <p>Post Cap (4)</p>	<p>B</p>  <p>Joiner Clip (2)</p>	<p>F</p>  <p>Post Board (28) 3/8" x 3" x 41 1/2"</p>
<p>C</p>  <p>Left Post (2) 1 1/8" x 1 1/8" x 42 3/4"</p> <p>Top view</p> 	<p>D</p>  <p>Right Post (2) 1 1/8" x 1 1/8" x 42 3/4"</p> <p>Top view</p> 	<p>G</p>  <p>1" Stainless Steel Screw (16)</p>
<p>E</p>  <p>Post Anchor (4) 1" x 1" x 24"</p>	<p>H</p>  <p>Spacer (2) 5/8" x 5/8" x 2 3/4"</p>	